

[03 - 2114]

II/IV B.E. DEGREE EXAMINATION.

First Semester

Mechanical Engineering

MACHINE DRAWING

(Common with Mechanical, Metallurgical and M.S. Mechanical Engineering)

(Effective from the admitted batch of 2006 - 2007)

Time : Three hours

Maximum : 70 marks

Answer ALL questions.

1. Sketch any THREE of the following with proportional dimensions : (3 × 5 = 15)

- (a) Whitworth thread
- (b) Round key
- (c) Knuckle Joint
- (d) Acme thread and Buttress thread.
- (e) Double riveted, double strap butt joint.

2. (a) Make sketches of suitable forms of an Oldham coupling to join the ends of two small shafts of diameter 25mm

Or

(b) Sketch sectional front view and side view of solid flanged coupling with $D = 80\text{mm}$. (10)

3. Draw the following views of the flange given in figure 1. All dimensions are in mm. (20)

- (a) Front View
- (b) Top View and
- (c) Side View.

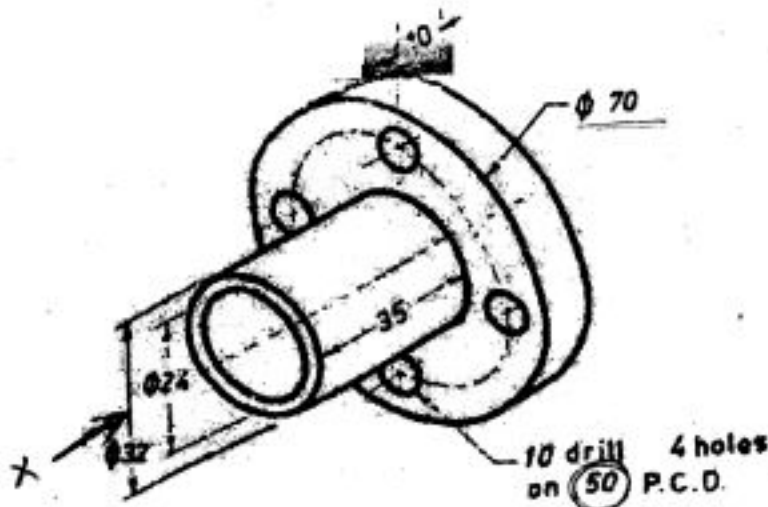


Figure 1

