

(DME 217)

B.Tech. DEGREE EXAMINATION, MAY - 2015

(Examination at the end of Second Year)

MECHANICAL ENGINEERING

Paper - VII : Machine Drawing

Time : 3 Hours

Maximum Marks : 75

Answer ONE question from each unit

UNIT - I

1) Draw three views of o hexagonal headed bolt with a nut and washer in position.

OR

2) Draw the views of Locking by screw. Take the diameter $D = 20$ mm.

UNIT - II

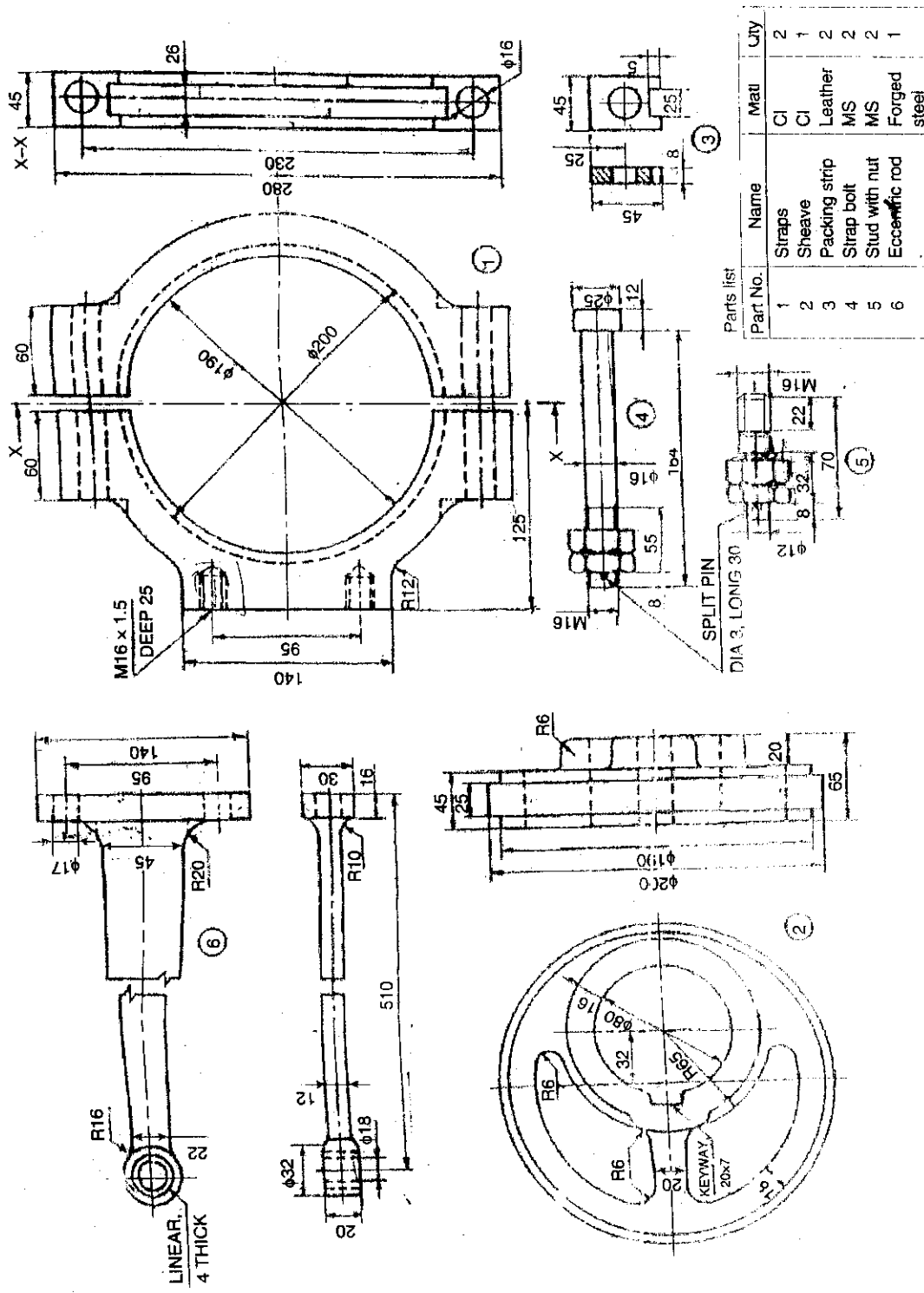
3) Draw two views of “Cotter joint with socket and spigot ends” of taking the diameter of shaft is 20 mm.

OR

4) Draw two views of “Oldham Coupling” by using the shaft diameter $D = 20$ mm.

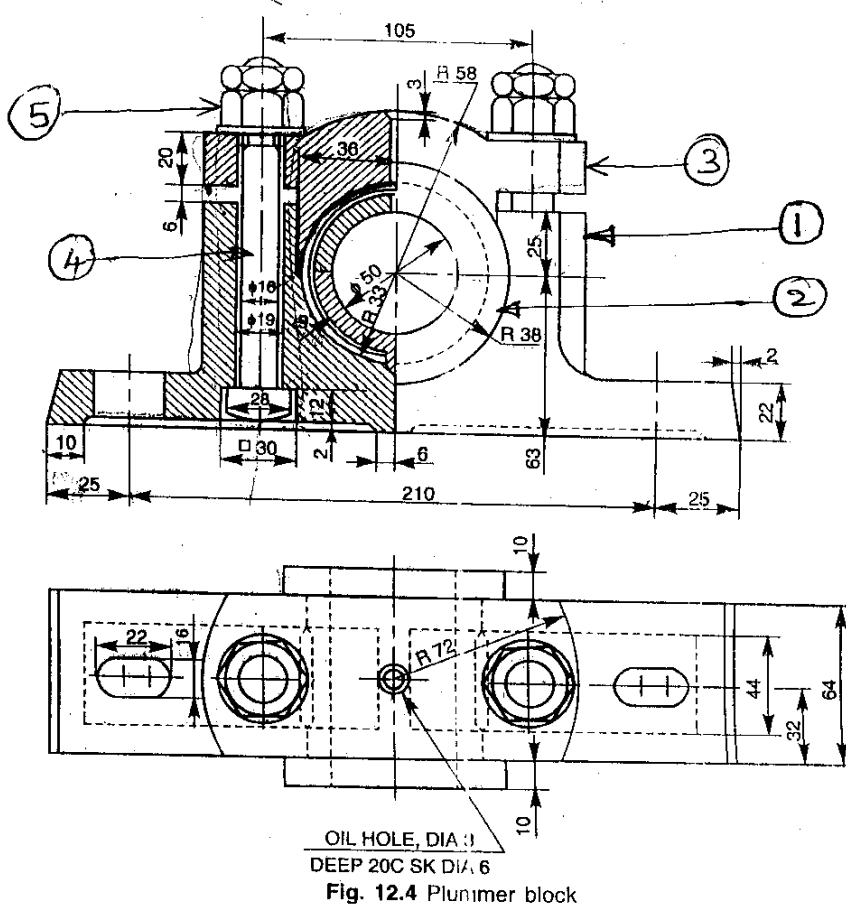
UNIT - III

5) Assemble all the parts of “Eccentric” as given below. Draw the assembled views.



OR

6) Draw the part Drawing by using the two views of the following, Plummer block.



Parts List

Part No	Name	Qty
1.	Block	1
2.	Brasses	1
3.	Cap	1
4.	Bolt	2
5.	Lock Nut with washer	2 sets.

